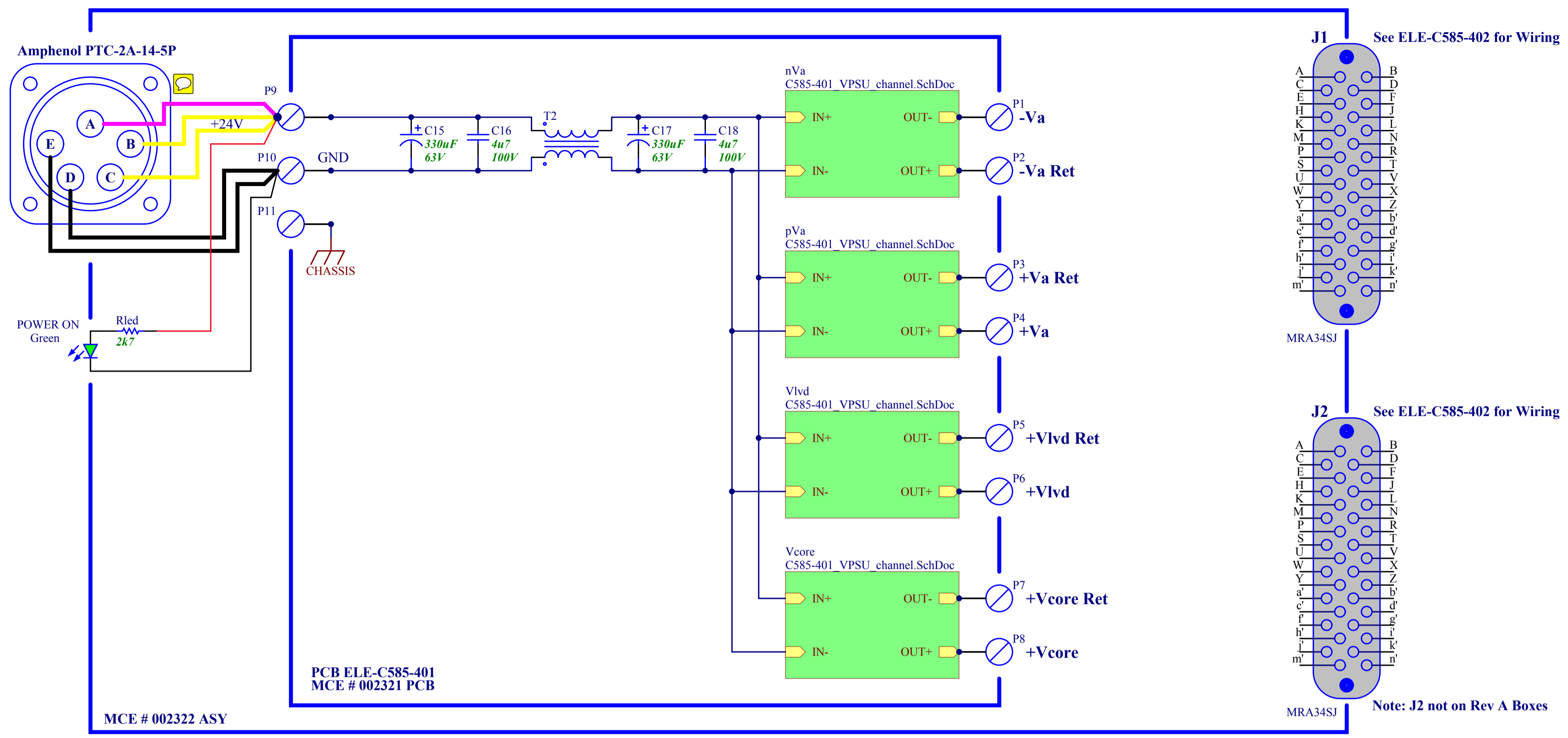


▲ 48V should be wired to Pin A with no connection to pins B & C



Place six mounting holes with an exposed copper annulus for electrical connectivity between screws and chassis ground. The screws should fasten the board to standoffs which are mounted to the chassis ground plate. Chassis ground should be an internal layer connected with several vias to the copper annulus around the mounting holes.

Type: Hardware Manufacturer: Keystone Part Number: 5062-2 Mech1	Type: Hardware Manufacturer: Keystone Part Number: 5062-2 Mech2	Type: Hardware Manufacturer: Keystone Part Number: 5062-2 Mech5	Type: Hardware Manufacturer: Keystone Part Number: 5062-2 Mech6
Type: Hardware Manufacturer: Keystone Part Number: 5062-2 Mech3	Type: Hardware Manufacturer: Keystone Part Number: 5062-2 Mech4	Type: Hardware Manufacturer: Keystone Part Number: 5062-2 Mech7	Type: Hardware Manufacturer: Keystone Part Number: 5062-2 Mech8

Design Variant: Rev C3 - 48V Version

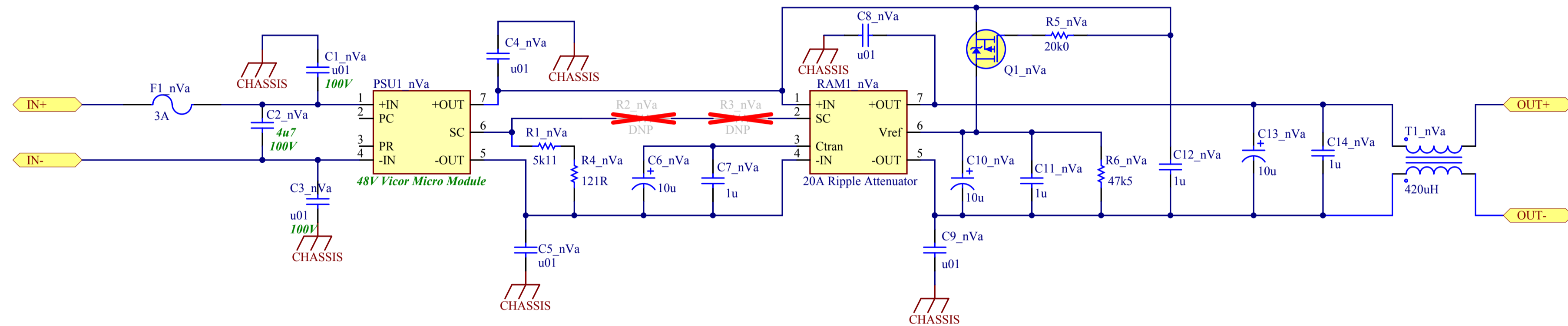
PCB Part Number for BOM:
002321 PCB
Use UBC Logo

Title Vicor Power Supply Unit		
Size: B	Number: ELE C585-401	Revision: C
Date: 4/14/2014	Time: 12:45:51 PM	Sheet 1 of 2
File: C585-401_VPSU.SchDoc		

University of British Columbia
Physics & Astronomy Department
MCE Project Lab
6224 Agricultural Road
Vancouver BC V6T 1Z1 Canada



Schematic for Channel: -Va



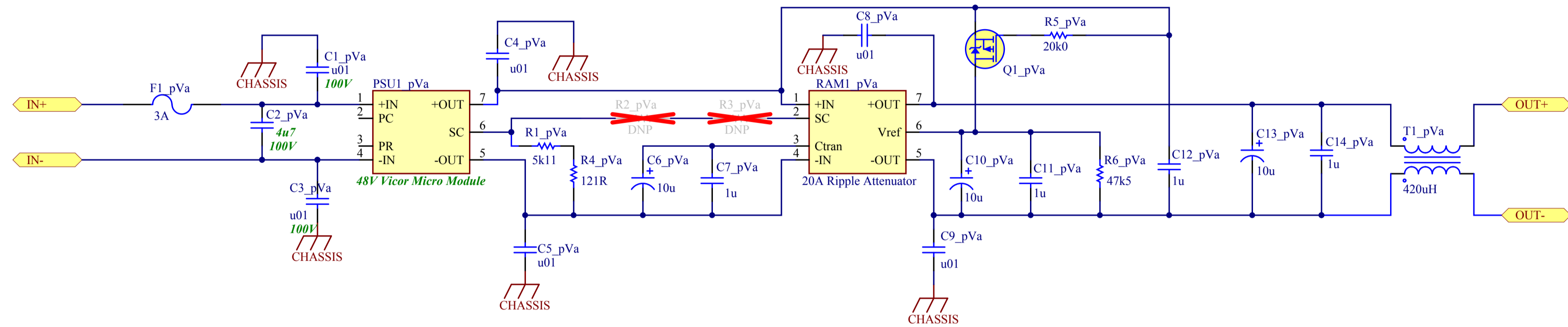
Varied Component Summary

Supply	R1	R4	R6	PSU1 xx = 24 or 48
Vlvd	DNP	DNP	36k5	VxxC5M50BL3
Vcore	DNP	DNP	30k1	VxxC3V3M50BL3
pVa	5k11	121R	47k5	VxxC8M100BL3
nVa	5k11	121R	47k5	VxxC8M100BL3

Component values that vary between channels are selected on the previous page as Sheet Symbol Parameters.

Design Variant: Rev C3 - 48V Version

Schematic for Channel: +Va



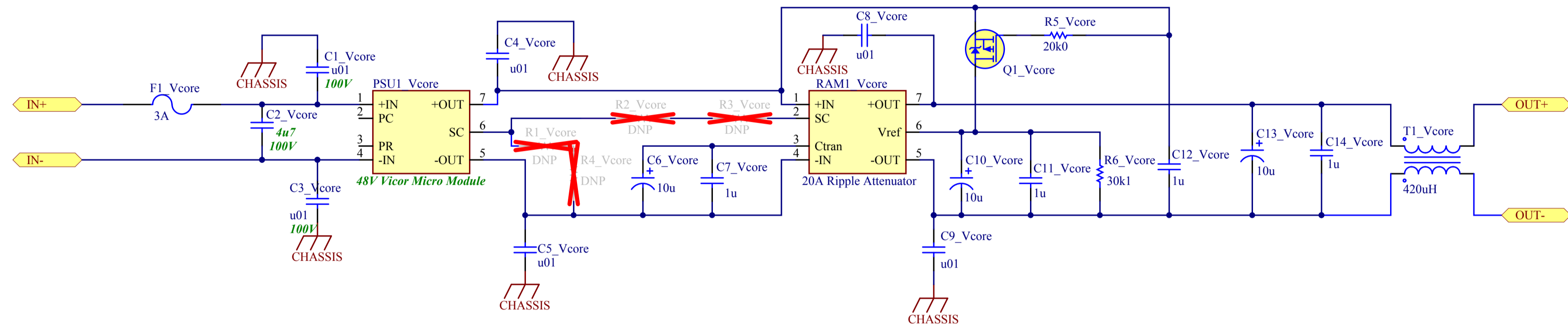
Varied Component Summary

Supply	R1	R4	R6	PSU1 xx = 24 or 48
Vlvd	DNP	DNP	36k5	VxxC5M50BL3
Vcore	DNP	DNP	30k1	VxxC3V3M50BL3
pVa	5k11	121R	47k5	VxxC8M100BL3
nVa	5k11	121R	47k5	VxxC8M100BL3

Component values that vary between channels are selected on the previous page as Sheet Symbol Parameters.

Design Variant: Rev C3 - 48V Version

Schematic for Channel: +Vcore



Varied Component Summary

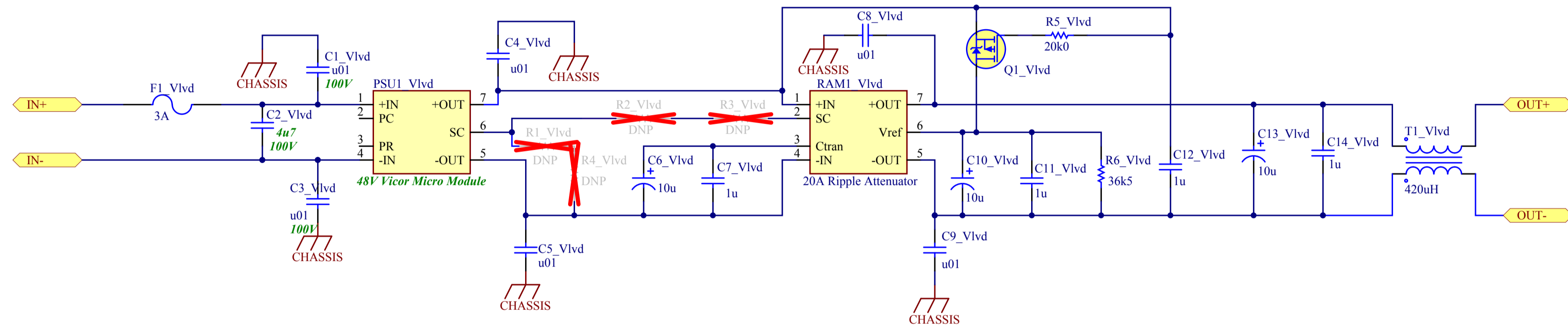
Supply	R1	R4	R6	PSU1 xx = 24 or 48
Vlvd	DNP	DNP	36k5	VxxC5M50BL3
Vcore	DNP	DNP	30k1	VxxC3V3M50BL3
pVa	5k11	121R	47k5	VxxC8M100BL3
nVa	5k11	121R	47k5	VxxC8M100BL3

Component values that vary between channels are selected on the previous page as Sheet Symbol Parameters.

Design Variant: Rev C3 - 48V Version

Title Vicor Power Supply Unit		Revision: C		University of British Columbia Physics & Astronomy Department MCE Project Lab 6224 Agricultural Road Vancouver BC V6T 1Z1 Canada	
Size: B	Number: ELE C585-401	Sheet 2 of 2			
Date: 4/14/2014 Time: 12:45:52 PM		File: C585-401 VPSU_channel.SchDoc			

Schematic for Channel: +Vlvd



Varied Component Summary

Supply	R1	R4	R6	PSU1 xx = 24 or 48
Vlvd	DNP	DNP	36k5	VxxC5M50BL3
Vcore	DNP	DNP	30k1	VxxC3V3M50BL3
pVa	5k11	121R	47k5	VxxC8M100BL3
nVa	5k11	121R	47k5	VxxC8M100BL3

Component values that vary between channels are selected on the previous page as Sheet Symbol Parameters.

Design Variant: Rev C3 - 48V Version