

Place six mounting holes with an exposed copper annulus for electrical connectivity between screws and chassis ground. The screws should fasten the board to standoffs which are mounted to the chassis ground plate. Chassis ground should be an internal layer connected with several vias to the copper annulus around the mounting holes.

Spacer 0.5" M3 Clearance Nickel-Brass Type: Hardware Manufacturer: Keystone Part Number: 5062-2	Spacer 0.5" M3 Clearance Nickel-Brass Type: Hardware Manufacturer: Keystone Part Number: 5062-2
--	--

Mech1

Mech2

Spacer 0.5" M3 Clearance Nickel-Brass Type: Hardware Manufacturer: Keystone Part Number: 5062-2	Spacer 0.5" M3 Clearance Nickel-Brass Type: Hardware Manufacturer: Keystone Part Number: 5062-2
--	--

Mech3

Mech4

Spacer 0.5" M3 Clearance Nickel-Brass Type: Hardware Manufacturer: Keystone Part Number: 5062-2	Spacer 0.5" M3 Clearance Nickel-Brass Type: Hardware Manufacturer: Keystone Part Number: 5062-2
--	--

Mech5

Mech6

Spacer 0.5" M3 Clearance Nickel-Brass Type: Hardware Manufacturer: Keystone Part Number: 5062-2	Spacer 0.5" M3 Clearance Nickel-Brass Type: Hardware Manufacturer: Keystone Part Number: 5062-2
--	--

Mech7

Mech8

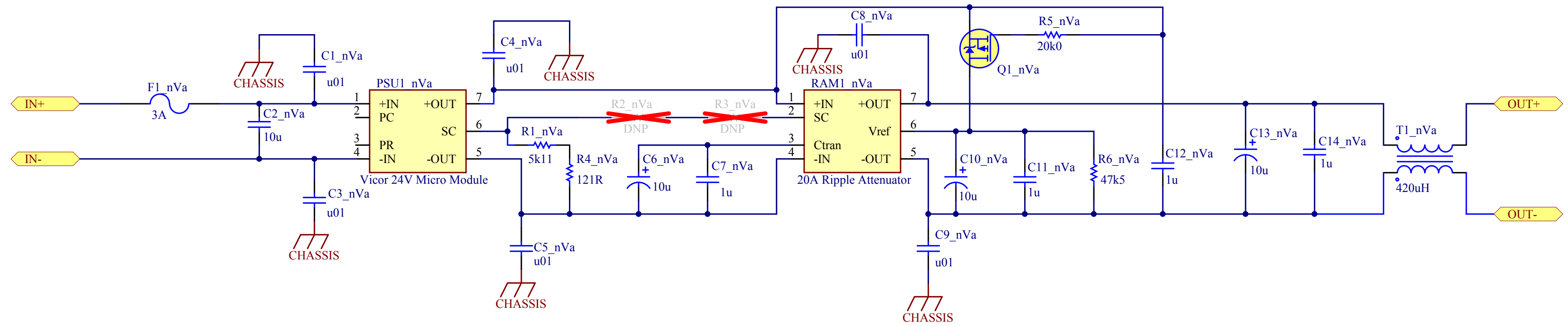
PCB Part Number for BOM:  
002321 PCB  
Use UBC Logo

Title <b>Vicor Power Supply Unit</b>		Revision: Rev C2
Size: B	Number: ELE C585-401	Sheet 1 of 2
Date: 2011-12-14	Time: 9:52:17 AM	File: C585-401_VPSU.SchDoc

**University of British Columbia**  
Physics & Astronomy Department  
MCE Project Lab  
6224 Agricultural Road  
Vancouver BC V6T 1Z1 Canada



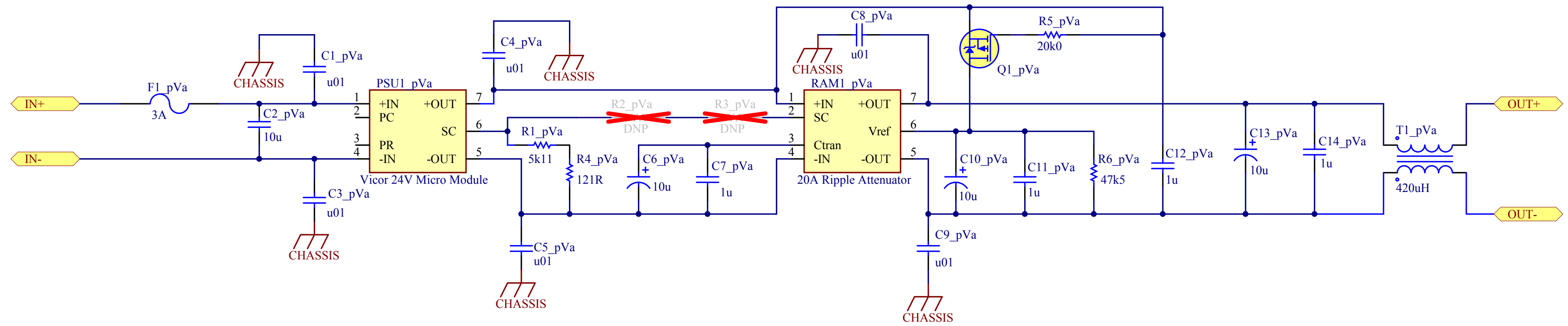
### Schematic for Channel: -Va



Varied Component Summary

Supply	R1	R4	R6	PSU1
Vlvd	DNP	DNP	36k5	V24C5M50BL3 #002344
Vcore	DNP	DNP	30k1	V24C3V3M50BL3 #002345
pVa	5k11	121R	47k5	V24C8M100BL3 #002346
nVa	5k11	121R	47k5	V24C8M100BL3 #002346

### Schematic for Channel: +Va



Varied Component Summary

Supply	R1	R4	R6	PSU1
Vlvd	DNP	DNP	36k5	V24C5M50BL3 #002344
Vcore	DNP	DNP	30k1	V24C3V3M50BL3 #002345
pVa	5k11	121R	47k5	V24C8M100BL3 #002346
nVa	5k11	121R	47k5	V24C8M100BL3 #002346

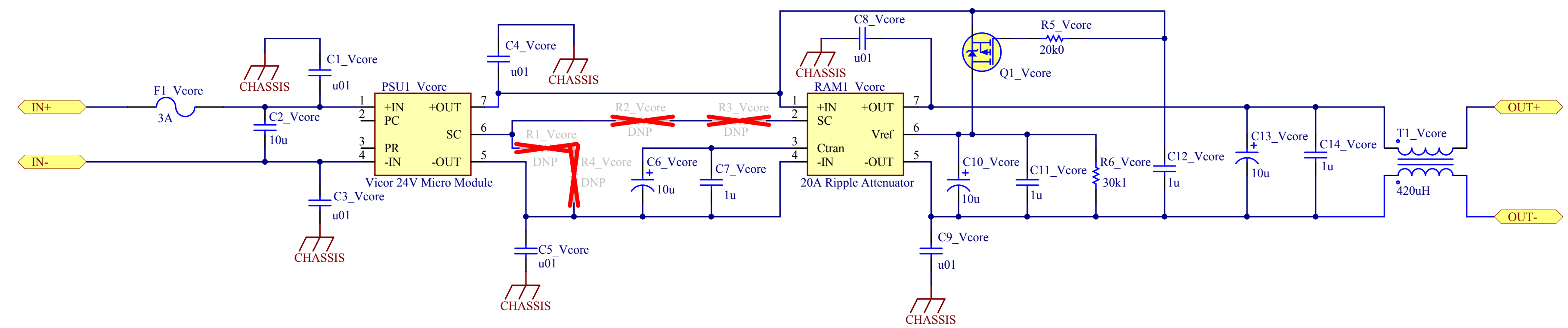
A

B

C

D

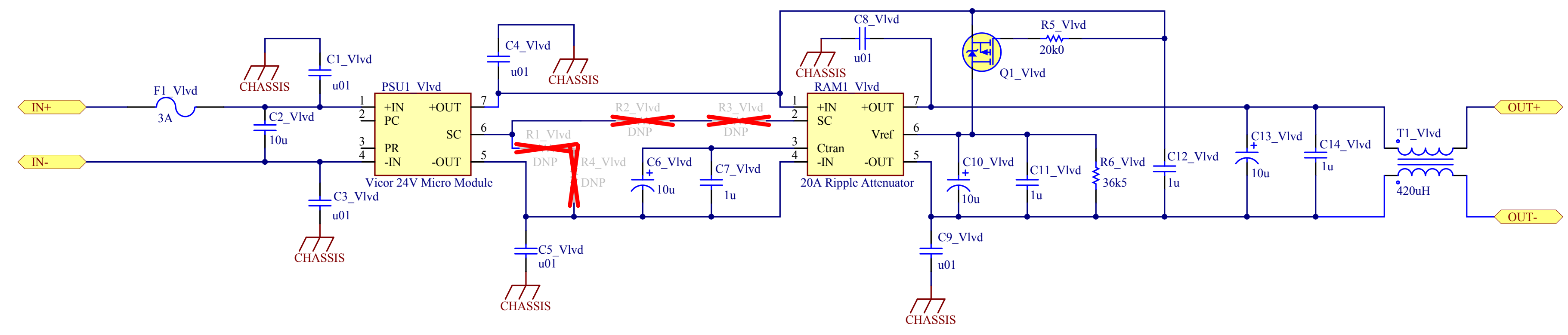
### Schematic for Channel: +Vcore



Varied Component Summary

Supply	R1	R4	R6	PSU1
Vlvd	DNP	DNP	36k5	V24C5M50BL3 #002344
Vcore	DNP	DNP	30k1	V24C3V3M50BL3 #002345
pVa	5k11	121R	47k5	V24C8M100BL3 #002346
nVa	5k11	121R	47k5	V24C8M100BL3 #002346

### Schematic for Channel: +Vlvd



Varied Component Summary

Supply	R1	R4	R6	PSU1
Vlvd	DNP	DNP	36k5	V24C5M50BL3 #002344
Vcore	DNP	DNP	30k1	V24C3V3M50BL3 #002345
pVa	5k11	121R	47k5	V24C8M100BL3 #002346
nVa	5k11	121R	47k5	V24C8M100BL3 #002346