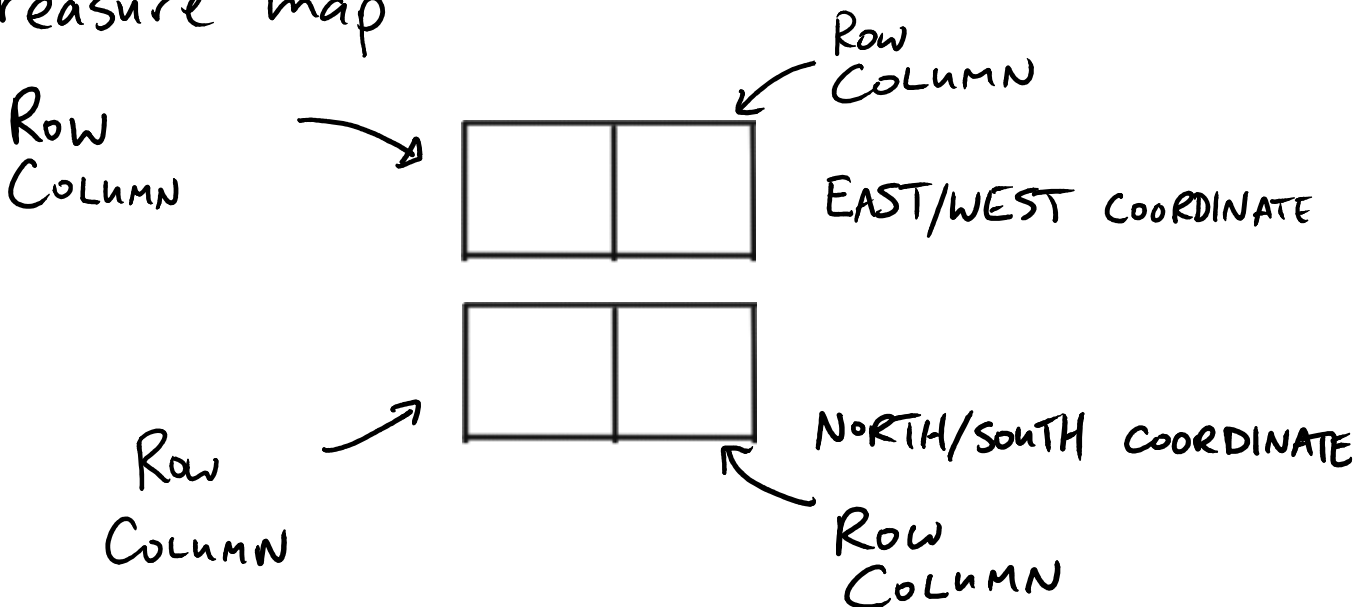


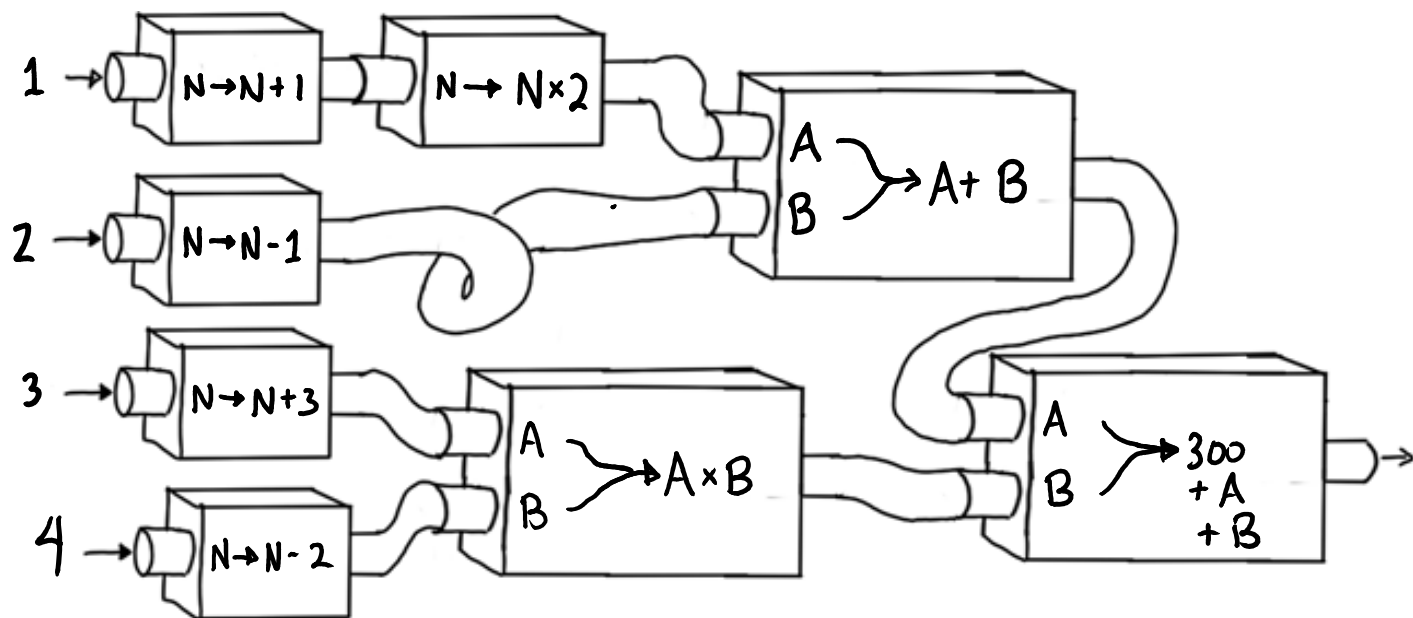
STEP 1: solve the problems on the following pages. Put your answers in the grid below.

	COLUMN 1	COLUMN 2	COLUMN 3	
Your answer to #1:				Row 1
Your answer to #2:				Row 2
Your answer to #3:				Row 3
Your answer to #4:				Row 4

STEP 2: Use the grid to figure out the coordinates of the treasure on the treasure map

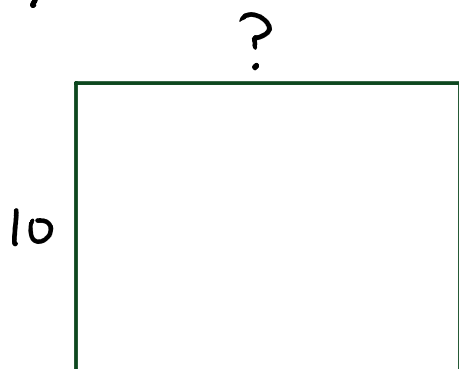


PROBLEM #1: What number comes out?

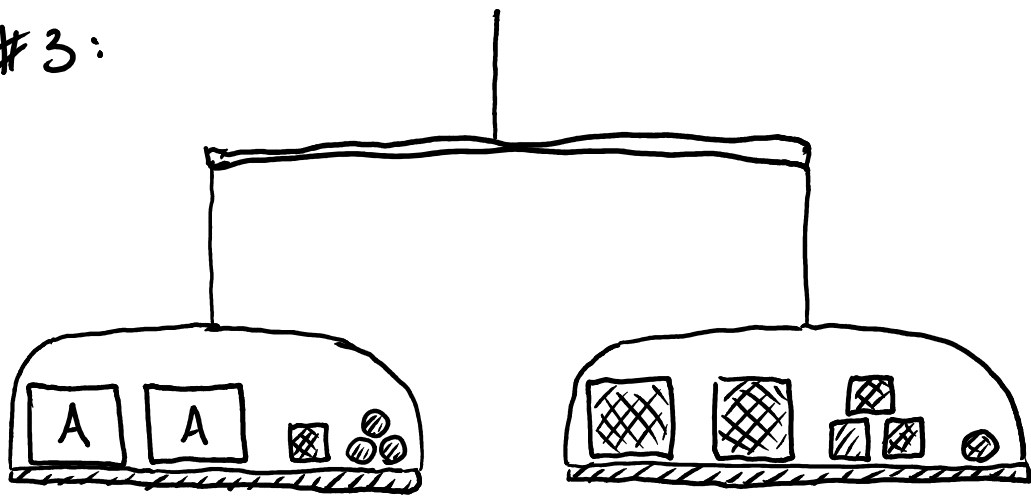


PROBLEM #2:

A rectangle has one side with length 10. Its perimeter is 44. What is the area of the rectangle?



PROBLEM #3:



$$\begin{array}{|c|} \hline \text{Cross-hatch square} \\ \hline \end{array} = 100\text{kg} \quad \begin{array}{|c|} \hline \text{Cross-hatch square} \\ \hline \end{array} = 10\text{kg} \quad \text{Circle} = 1\text{kg}$$

If the two sides balance, how many kilograms does \boxed{A} weigh?

PROBLEM #4: A palindrome is a number that is the same written forwards and backwards. What is the 24th palindrome in this sequence:

11, 22, 33, 44, ...