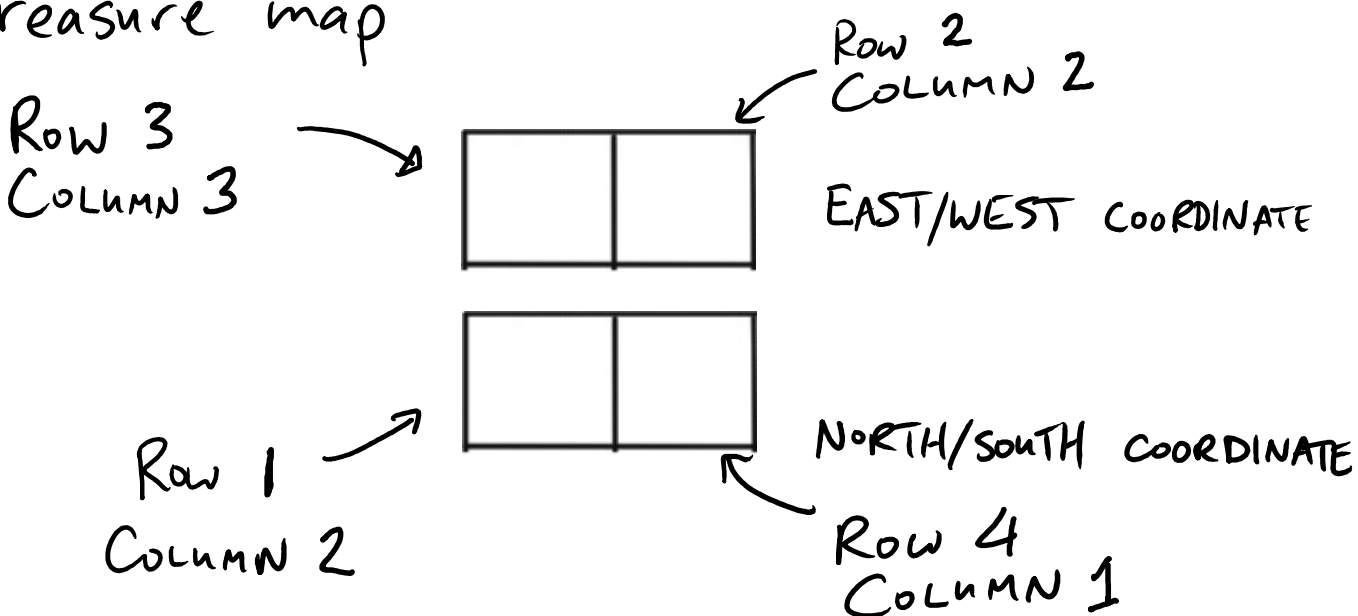


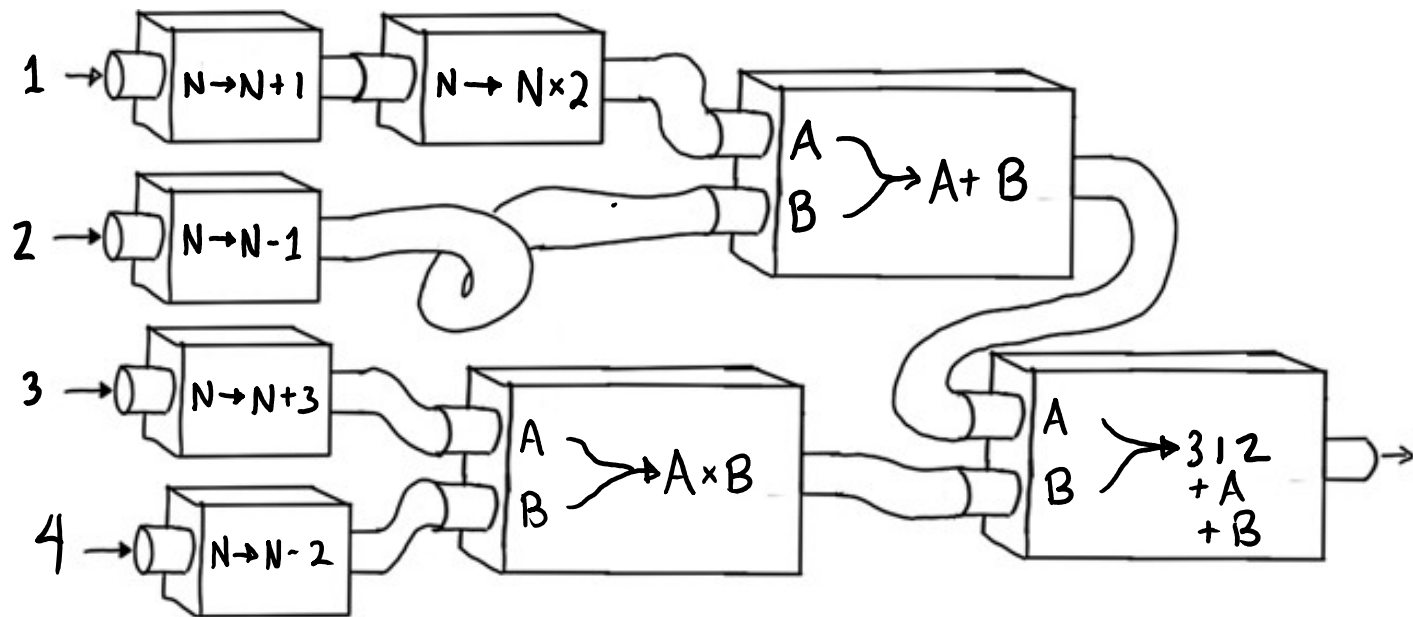
STEP 1: Solve the problems on the following pages. Check your answers on the Math Computer, then put them in the grid below.

	COLUMN 1	COLUMN 2	COLUMN 3	
Your answer to #1:				Row 1
Your answer to #2:				Row 2
Your answer to #3:				Row 3
Your answer to #4:				Row 4

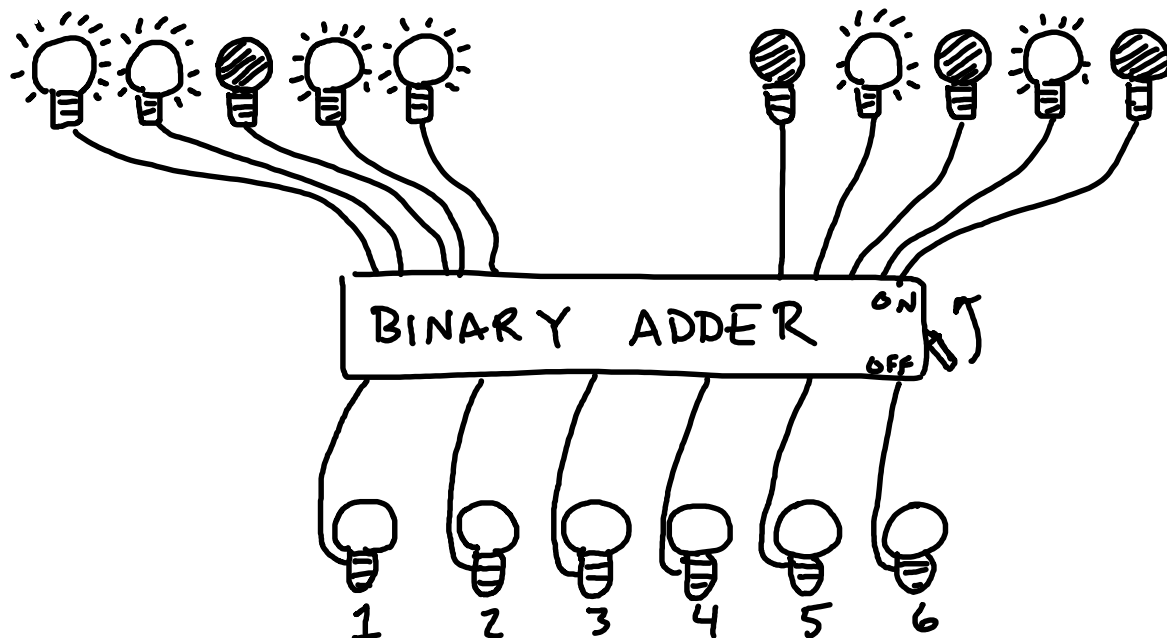
STEP 2: Use the grid to figure out the coordinates of the treasure on the treasure map



PROBLEM #1: What number comes out?



PROBLEM #2: Which light bulbs light up when the switch is turned on?



PROBLEM #3: You roll three six-sided dice. The probability that they add to 6 is some fraction $\frac{A}{B}$. What is $A+B$? Remember to simplify the fraction!

PROBLEM #4: You will need a computer for this!

- ① Start with the number 644
- ② Add the number 1142
- ③ Multiply by 2
- ④ Repeat steps ② and ③ until you have done these a total of 9 times.
- ⑤ Your answer is the last 3 digits of this number.